

## G Nonmetallic Carpet Plate Installation Instructions

(May be used on carpet, wood or tile floors)

- 1) Cut carpet, wood or tile to inside diameter of floor box.
- 2) DISCARD METAL CLIPS AND 1/8" CORK ON 68-PAR.
- 3) Attach carpet plate to adjusting ring by inserting locking tabs of the carpet plate into the slots on the adjusting ring and turning clockwise until both snap together. **IMPORTANT:** make certain oval hole in cover lines up with receptacle mounting holes on the P-68-SRC and P-68-DRC. **NOTE:** do not apply PVC cement when attaching the carpet plate to the adjusting ring.
- 4) Apply PVC cement to the outside edge of the plastic adjusting ring and to the top inside edge of the floor box. Press the adjusting ring into the floor box, rotating the ring back and forth 1/4 turn

until the carpet flange stops against the carpet, wood or tile floor. **NOTE:** on wood or tile floors, apply caulk or sealant to the underside of carpet flange to block water entry.

- 5) Install the receptacle, receptacle face plate, oval gasket and cover using the screws provided with the receptacle and the carpet plate. **IMPORTANT:** Follow all national and local electrical codes when installing receptacles.

### CATALOG NUMBER APPLICATION CHART

NONMETALLIC CARPET PLATES	68-PAR PARTS		
	ADJUSTING RING	METAL LEVELING CLIPS	CORK GASKET
*P-68-SRC-XX	REQUIRED	NOT REQUIRED	NOT REQUIRED
*P-68-FSC-XXX			
*P-68-DRC-XXX			

\* NOTE: "-XXX" Denotes color. Specify GRAY (Gray), BRN (Brown) BGE (Beige) when ordering.

## H One Piece Carpet Plate Installation Instructions

(May be used on carpet, wood or tile floors)

**IMPORTANT:** On Installation D, all electrical connections and data or power cable must be run or installed before carpet plate is sealed to wood or tile floors.

- 1) Cut carpet, wood or tile to inside diameter of floor box.
- 2) DISCARD METAL CLIPS. FOR THE 60-CACP-GFCI, DISCARD THE CORK GASKET AND USE THE 68P-FL TRIM RING. THE P60-CACP AND P60-3/4-2-CACP WILL WORK WITH EITHER THE CORK GASKET OR THE 68P-FL TRIM RING.
- 3) **IMPORTANT:** Install receptacle to the 68-PAR per national and local electrical codes.
- 4) Attach carpet plate to the 68-PAR using the cork gasket or 68P-FL as shown in Catalog Number Chart and assembly note 2. Make certain to use the gasket and gasket seating plate furnished with the carpet plate.

Use (3) #8-32 +1" screws furnished with carpet plate.

- 5) Apply PVC cement to the outside edge of the plastic adjusting ring and to the top inside edge of the floor box. Press the adjusting ring into the floor box, rotating the ring back and forth 1/4 turn until the carpet flange stops against the carpet, wood or tile floor.

**NOTE:** On wood or tile floors, apply caulk or sealant to the underside of the carpet flange to block water entry.

### CATALOG NUMBER APPLICATION CHART

*METALLIC CARPET PLATES	68-PAR PARTS			.68P-FL
	ADJUSTING RING	METAL LEVELING CLIPS	CORK GASKET	METALLIC TRIM RING
P60-CACP	REQUIRED	NOT REQUIRED	REQUIRED	NOT REQUIRED
P60-CACP-AL			REQUIRED	REQUIRED
P60-3/4-2-CACP			REQUIRED	REQUIRED
**P60-CACP-GFCI			REQUIRED	REQUIRED

\*Carpet Plates and Metallic Trim Rings are furnished in brass unless ordered as aluminum by adding the suffix -AL to the catalog number; e.g. P60-CACP-AL.

\*Requires 68P-FL to attach to floor box.

**WARRANTY:** Thomas & Betts sells this product with the understanding that the user will perform all necessary tests to determine the suitability of this product for the user's intended application. Thomas & Betts warrants that this product will be free from defects in materials and workmanship for a period of two (2) years following the date of purchase. Upon prompt notification of any warranted defect, Thomas & Betts will, at its option, repair or replace the defective product or refund the purchase price. Proof of purchase is required. Misuse or unauthorized modification of the product voids all warranties.

**Limitations and Exclusions:** THE ABOVE WARRANTY IS THE SOLE WARRANTY CONCERNING THIS PRODUCT, AND IS IN LIEU OF ALL OTHER WARRANTIES EXPRESS OR IMPLIED, INCLUDING BUT NOT LIMITED TO ANY IMPLIED WARRANTY OF MERCHANTABILITY OR FITNESS FOR A PARTICULAR PURPOSE, WHICH ARE SPECIFICALLY DISCLAIMED. LIABILITY FOR BREACH OF THE ABOVE WARRANTY IS LIMITED TO COST OF REPAIR OR REPLACEMENT OF THE PRODUCT, AND UNDER NO CIRCUMSTANCES WILL THOMAS & BETTS BE LIABLE FOR ANY INDIRECT, SPECIAL, INCIDENTAL OR CONSEQUENTIAL DAMAGES.

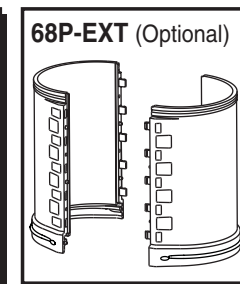
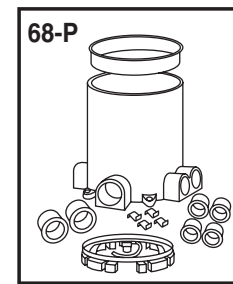
Thomas & Betts Corporation • Memphis, Tennessee •

# Thomas & Betts

## 68-P Nonmetallic Floor Box, Cover and Carpet Plate Installation Guide

### TABLE OF CONTENTS

- A. Warnings, Important Notes, and Parts Lists
- B. Figures
- C. 68-P Floor Box Installation
- D. 68-P Floor Box, Preparation for Covers
- E. Flush Tile Cover Installation
- F. Two Piece Carpet Plate Installation



- G. Nonmetallic Carpet Plate Installation
- H. One Piece Carpet Plate Installation

### A Warnings, Important Notes and Parts Lists

**⚠ WARNING ⚠**  
**BE SURE POWER IS OFF**

#### 68-P FLOOR BOX PARTS LIST:

- (QTY. 1) Box Body  
(QTY. 4) 3/4" - 1/2" Conduit Adapters  
(QTY. 2) 1" - 3/4" Conduit Adapters  
(QTY. 1) Expandable Plastic Concrete Cap for Box.  
SEE FIGURE B.1

#### 68-PAR ADJUSTING RING PARTS LIST (not included):

- (QTY. 1) Plastic Adjusting Ring  
(QTY. 4) Metal Leveling Clips  
(QTY. 1) 1/8" Thick Cork Gasket  
SEE FIGURE B.2

#### 68P-FL TRIM RING PARTS LIST (not included):

- (QTY. 1) Metallic Trim Ring  
(QTY. 2) #8-32 x 1/2" Screws (used only for GFCI cover or carpet plate)  
SEE FIGURE B.3

#### 68P-EXT 6" EXTENTION PARTS LIST (not included):

- (QTY. 2) 6" Extension Halves

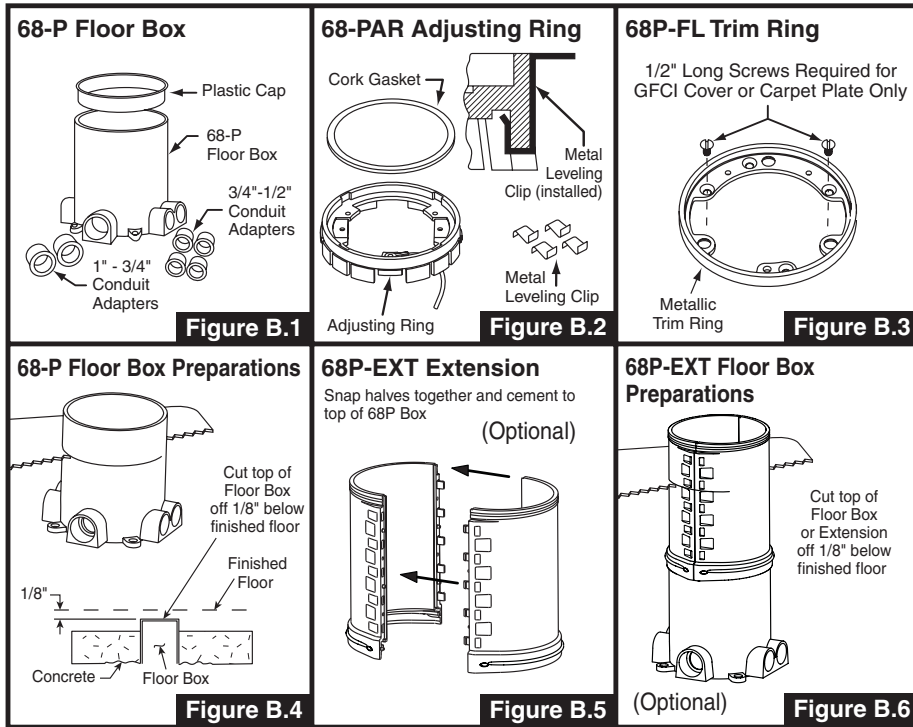
#### IMPORTANT NOTES:

- 1) Read all instructions before installing box, carpet plate, trim ring or cover.
- 2) Except for **installation H**, It is recommended that all electrical device connections and power or data cable runs be made **after** trim ring or carpet plate is installed and sealed.
- 3) Connect electrical devices per national and local electrical codes.
- 4) Top of floor box must be flush to concrete floor surface to install cover.
- 5) **Caution:** prior to cementing, verify pvc cement is not beyond expiration date.

#### REQUIRED PARTS:

The 68-PAR adjusting ring, 68P-FL trim ring, carpet plates and covers must be ordered separately.  
(See Catalog Number Application Charts in sections E, F, G and H).

## B Figures



## C 68-P Floor Box Installation Instructions

### For P60 and P68 Flush Covers:

- 1) Level and fasten the box to the form or set on level surface. For pour depths greater than 6 inches, but not exceeding 17 inches, use the 68P-EXT extension. Snap both halves together and cement to the top of 68-P box with minimum of one inch height above finished concrete.
- 2) Make conduit connections into box outlets. **Option:** If required, select the appropriate conduit plug, cut the plug for clear wire access and cement into place in the box hub. Then connect the conduit by rotating the ring back and forth 1/4 turn until the leveling clips contact the floor surface. Seal unused box hubs by cementing blank conduit plugs into place using the same 1/4 turn method.
- 3) Insert the plastic cap into the top of the box or extension prior to concrete pour to prevent the ingress of the concrete. (Do not use PVC cement).

### For Recessed 68R Covers:

- 1) Install box in concrete as shown (in Figure C.1), leveling the top of the box with the screed line of the concrete.
- 2) Refer to 68R Cover Installation Instructions for assembly details.

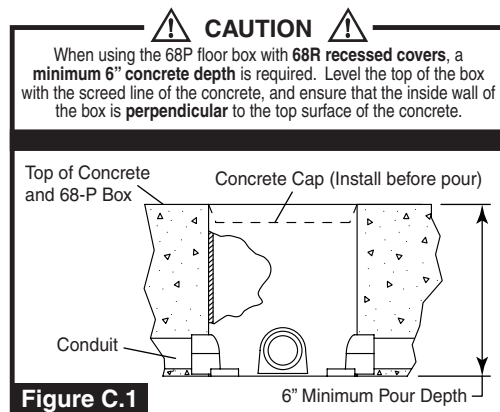


Figure C.1

## D 68-P Floor Box Preparation to accept Cover or Carpet Plate

- 1) Cut the top surface of the floor box or extension 1/8" inch below finished floor height (see Figure B.4 or B.6). Finished floor height is the top surface of the carpet, wood or tile floor. **IMPORTANT:** On Installation D, all electrical connections and data or power cable must be run or installed before carpet plate is sealed to wood or tile floors.

## E Flush Tile Cover Installation Instructions

- 1) Attach (4) metal leveling clips to the underside of the adjusting ring as shown in Figure B.2.
- 2) DISCARD 1/8" CORK GASKET ON 68-PAR.
- 3) Apply PVC cement to the outside edge of the plastic adjusting ring and to the top inside edge of the floor box or extension. Press the adjusting ring into the floor box or extension, using the 1/4 turn cementing method mentioned in step C, instruction number 2.
- 4) Attach the desired P60 series cover assembly and 68P-FL trim ring to the 68-PAR using the (3) #8-32 x 1" screws furnished with the cover. **IMPORTANT:** Make certain to include the cover gasket and seating plate furnished with cover.

- 5) Trim tile to the outside of 68P-FL trim ring. **NOTE:** Caulk or seal all gaps and cracks around the trim ring and floor surface to block water entry.
- 6) To make electrical connections, remove the cover by unscrewing the (3) #8 x 1" screws.

### CATALOG NUMBER APPLICATION CHART

*P60 COVERS	68-PAR PARTS			*68P-FL METALLIC TRIM RING
	ADJUSTING RING	METAL LEVELING CLIPS	CORK GASKET	
METALLIC 4" DIA. COVERS				
P60-1/2	REQUIRED	NOT REQUIRED	NOT REQUIRED	REQUIRED
P60-3/4				
P60-1				
P60-1-1/4				
P60-2				
P60-2-5/8				
P60-1/2-2				
P60-3/4-2				
P60-DU				
P60-DR				
P60-DS				
P60-GFCI				

\*Cover and metallic trim rings are furnished in brass unless ordered as aluminum by adding the suffix -AL to catalog number; e.g. P60-DS-AL or 6-8P-FL-AL.

## F Two Piece Carpet Plate Installation Instructions

(May be used on carpet, wood or tile floors)

- 1) Cut carpet, wood or tile to inside diameter of floor box.
- 2) DISCARD METAL CLIPS AND 1/8" CORK ON 68-PAR.
- 3) Attach the desired P60 series cover assembly and P60-CP carpet flange to the 68-PAR using the (3) #8-32 x 1" screws furnished with the P60 cover. **IMPORTANT:** make certain to include the cover gasket and seating plate furnished with cover. **NOTE:** on wood or tile floors, apply caulk or sealant to the underside of the carpet flange to block water entry.
- 4) Apply PVC cement to the outside edge of the nonmetallic adjusting ring and to the top inside edge of the floor box or extension. Press the adjusting ring into the floor box or extension, rotating the ring back and forth 1/4 turn until the carpet flange stops against the carpet, wood or tile floor.
- 5) To make electrical connections, remove the cover by unscrewing the (3) #8 x 1" screws.

### CATALOG NUMBER APPLICATION CHART

*P60 COVERS	68-PAR PARTS			*60-CP METALLIC CARPET FLANGE
	ADJUSTING RING	METAL LEVELING CLIPS	CORK GASKET	
METALLIC 4" DIA. COVERS				
P68-SRC	REQUIRED	NOT REQUIRED	NOT REQUIRED	REQUIRED
P68-FSC				
P60-1				
P60-1-1/4				
P60-2				
P60-2-5/8				
P60-1/2-2				
P60-3/4-2				
P60-DU				
P60-DR				
P60-DS				

\*Cover and metallic carpet flanges are furnished in brass unless ordered as aluminum by adding the suffix -AL to the catalog number; e.g. P60-DS-AL or P60-CP-AL.